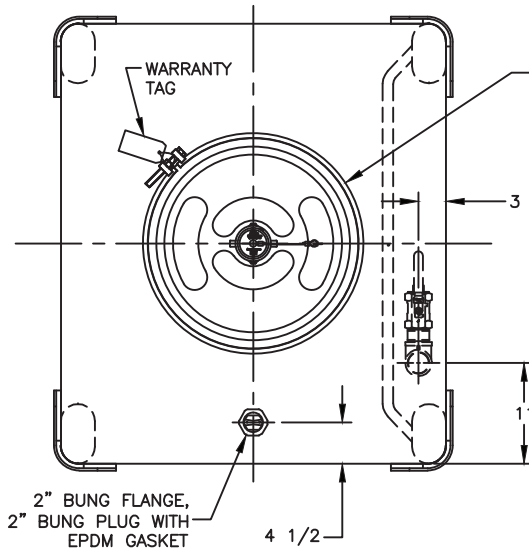
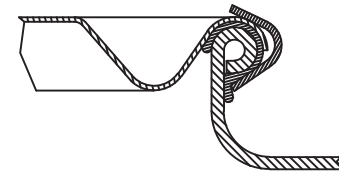


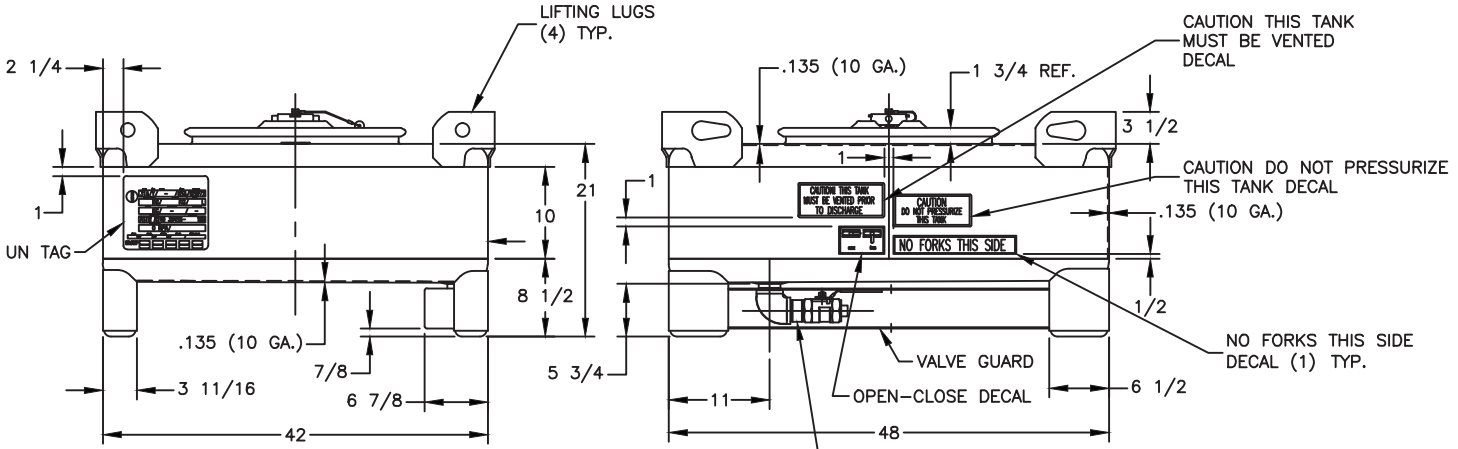
ITEM	P.N.	DESCRIPTION	QTY
------	------	-------------	-----



22 1/2" NOM. DIA. FORMED DRUM OPENING WITH SS DRUM LID, EPDM MULTISEAL LID GASKET, 3" SS FUSIBLE VENT W/TEFLON GASKET AND LANYARD. PLATED STEEL CLAMP RING WITH 5/8"-NC PLATED STEEL BOLT AND 5/8" PLATED STEEL LOCK NUT.




DRUM NECK SECTION



- NOTE:
1. REMOVE ALL BURRS, SHARP EDGES AND WELD DISCOLORATION.
  2. TANK TO HAVE 2" NOMINAL RADIUS CORNERS.
  3. BOTTOM SLOPES TOWARD OUTLET FOR OPTIMUM DRAINAGE.
  4. PRODUCT CONTACT ZONE TO BE 304 SS OR EQUAL.
  5. TANKS WILL STACK AND TOP LIFT.
  6. TANKS TO BE TESTED AND TAGGED TO MEET IBC UN 31A/Y SPECIFICATIONS.

2" SS NPT HALF-NIPPLE, 2" SS NPT 90 DEG. ELBOW, 2" SS NPT X 3" LG NIPPLE, 2" SS BALL VALVE AND 2" PVC SHIPPING PLUG.

 <b>COHIBA OILFIELD SERVICES</b> (907) 243-TANK • COHIBAOILFIELD.COM	DESCRIPTION:		
	125 GALLON SS IBC 42"X48" BASE		
	DWG BY: DLW	APPROVED BY:	
	DATE: 09-30-09	DRAWING NO: 110003	
SCALE: 1:10	MAT'L: 304 SS	REVISION NO. NONE	

REV.	DESCRIPTION	DATE	BY
------	-------------	------	----