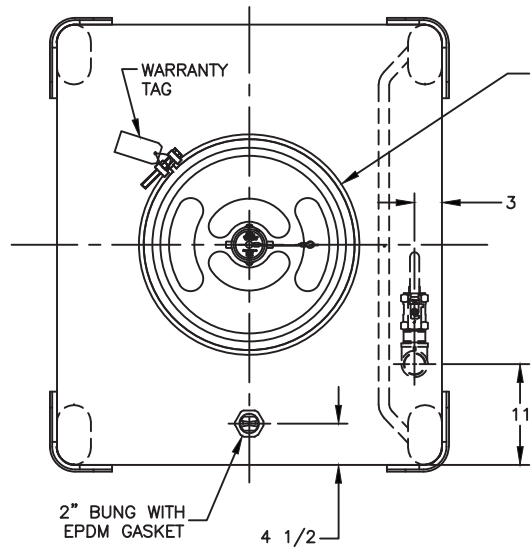
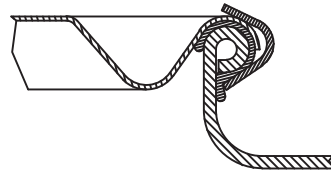


ITEM	P.N.	DESCRIPTION	QTY
------	------	-------------	-----



22 1/2" NOM. DIA. FORMED DRUM OPENING WITH SS DRUM LID, EPDM MULTISEAL LID GASKET, 3" SS FUSIBLE VENT W/TEFLON GASKET AND LANYARD. PLATED STEEL CLAMP RING WITH 5/8"-NC PLATED STEEL BOLT AND 5/8" PLATED STEEL LOCK NUT.



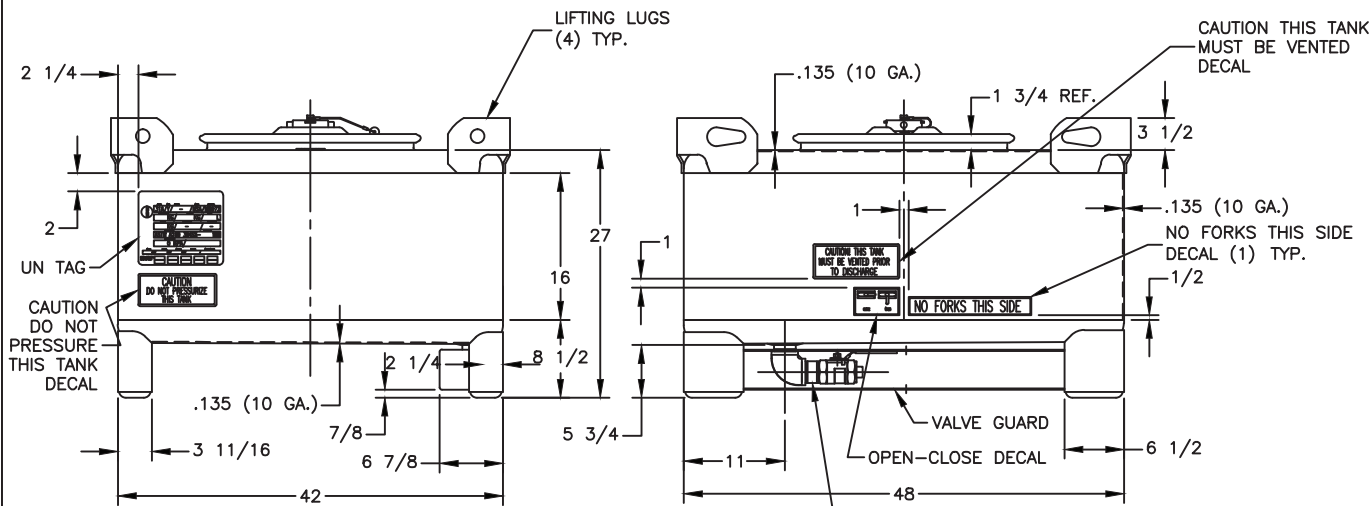
DRUM NECK SECTION

CUSTOMER DRAWING APPROVAL STATUS

- APPROVED AS SHOWN. PROCEED WITH FABRICATION.
- APPROVED AS NOTED. REVISE DWG & PROCEED WITH FABRICATION.
- NOT APPROVED ! REVISE DWG AS MARKED & RESUBMIT DWG FOR APPROVAL.

SIGNATURE: _____


DATE: _____



2" SS NPT HALF-NIPPLE, 2" SS NPT 90 DEG. ELBOW, 2" SS NPT X 3" LG NIPPLE, 2" SS BALL VALVE AND 2" PVC SHIPPING PLUG.

- NOTE:
- REMOVE ALL BURRS, SHARP EDGES AND WELD DISCOLORATION.
 - TANK TO HAVE 2" NOMINAL RADIUS CORNERS.
 - BOTTOM SLOPES TOWARD OUTLET FOR OPTIMUM DRAINAGE.
 - PRODUCT CONTACT ZONE TO BE 304 SS OR EQUAL.
 - TANKS WILL STACK AND TOP LIFT.
 - TANKS TO BE TESTED AND TAGGED TO MEET IBC UN 31A/Y SPECIFICATIONS.

REV.	DESCRIPTION	DATE	BY
------	-------------	------	----

 COHIBA OILFIELD SERVICES <small>(907) 243-TANK • COHIBAOILFIELD.COM</small>	DESCRIPTION: 180 GALLON SS IBC 42"X48" BASE		
	DWG BY: DLW	APPROVED BY:	
	DATE: 09-30-09	DRAWING NO: 110004	
	SCALE: 1:10	MAT'L: 304 SS	REVISION NO: NONE

THIS DRAWING CONTAINS INFORMATION PROPRIETARY TO COHIBA OILFIELD SERVICES LLC. IT IS SUBMITTED AND IS TO BE USED SOLELY FOR THE PURPOSE FOR WHICH IT IS FURNISHED AND RETURNED UPON REQUEST. THIS DRAWING AND SUCH INFORMATION IS NOT TO BE REPRODUCED, TRANSMITTED, DISCLOSED OR USED OTHERWISE IN WHOLE OR IN PART WITHOUT THE WRITTEN AUTHORIZATION OF COHIBA OILFIELD SERVICES LLC.