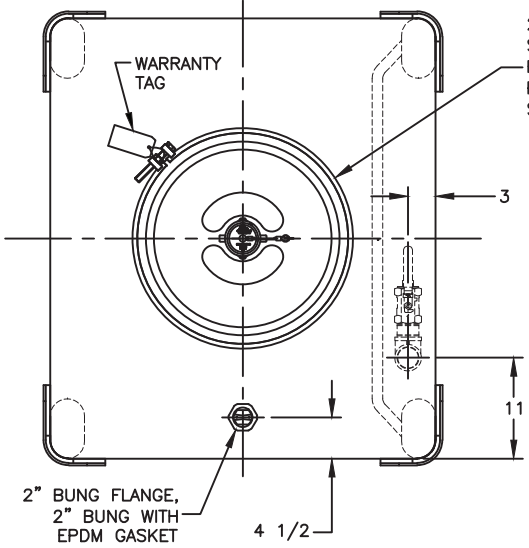
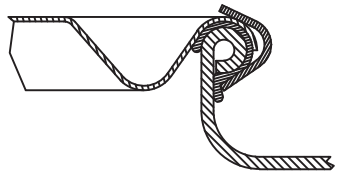


ITEM	P.N.	DESCRIPTION	QTY
------	------	-------------	-----

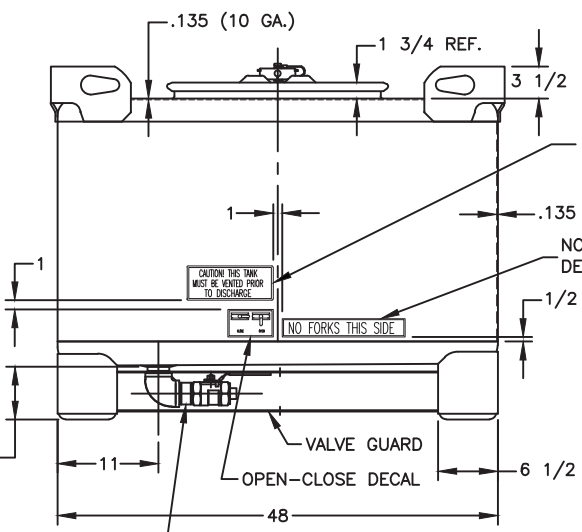
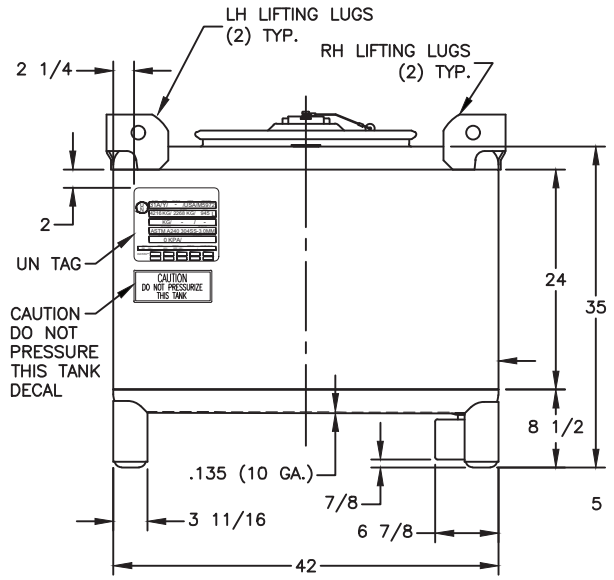


22 1/2" NOM. DIA. FORMED DRUM OPENING WITH SS DRUM LID, EPDM MULTISEAL LID GASKET, 3" SS FUSIBLE CAP W/TEFLON GASKET AND LANYARD. PLATED STEEL CLAMP RING WITH 5/8"-NC PLATED STEEL BOLT AND 5/8" PLATED STEEL LOCK NUT.

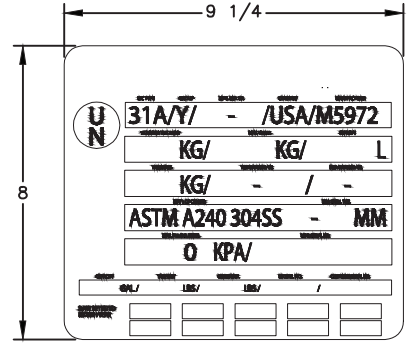


DRUM NECK SECTION

CUSTOMER DRAWING APPROVAL STATUS	
<input type="checkbox"/>	-APPROVED AS SHOWN. PROCEED WITH FABRICATION.
<input type="checkbox"/>	-APPROVED AS NOTED. REVISE DWG & PROCEED WITH FABRICATION.
<input type="checkbox"/>	-NOT APPROVED ! REVISE DWG AS MARKED & RESUBMIT DWG FOR APPROVAL.
SIGNATURE: _____	
DATE: _____	



CAUTION THIS TANK MUST BE VENTED PRIOR TO DISCHARGE
NO FORKS THIS SIDE
DECAL (1) TYP.



UN TAG DETAIL

- NOTE:
1. REMOVE ALL BURRS, SHARP EDGES AND WELD DISCOLORATION.
 2. TANK TO HAVE 2" NOMINAL RADIUS CORNERS.
 3. BOTTOM SLOPES TOWARD OUTLET FOR OPTIMUM DRAINAGE.
 4. PRODUCT CONTACT ZONE TO BE 304 SS OR EQUAL.
 5. TANKS WILL STACK AND TOP LIFT.
 6. TANKS TO BE TESTED AND TAGGED TO MEET IBC UN 31A/Y SPECIFICATIONS.

COHIBA OILFIELD SERVICES
 (907) 243-TANK • COHIBAOILFIELD.COM

THIS DRAWING CONTAINS INFORMATION PROPRIETARY TO COHIBA OILFIELD SERVICES LLC. IT IS SUBMITTED AND IS TO BE USED SOLELY FOR THE PURPOSE FOR WHICH IT IS FURNISHED AND RETURNED UPON REQUEST. THIS DRAWING AND SUCH INFORMATION IS NOT TO BE REPRODUCED, TRANSMITTED, DISCLOSED OR USED OTHERWISE IN WHOLE OR IN PART WITHOUT THE WRITTEN AUTHORIZATION OF COHIBA OILFIELD SERVICES LLC.

DESCRIPTION: 250 GALLON SS IBC 42"X48" BASE			
DWG BY: DLW	APPROVED BY:		
DATE: 09-30-09	DRAWING NO: 110005		
SCALE: 1:10	MAT'L: 304 SS	REVISION NO. NONE	

REV.	DESCRIPTION	DATE	BY
------	-------------	------	----