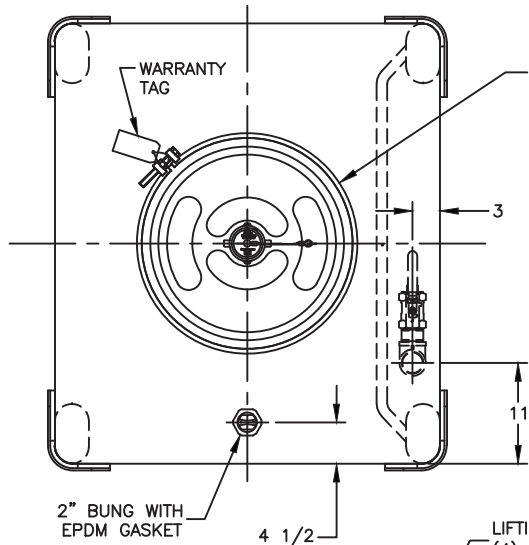
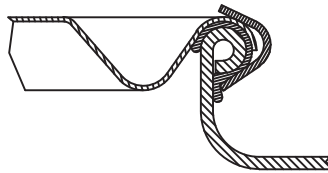


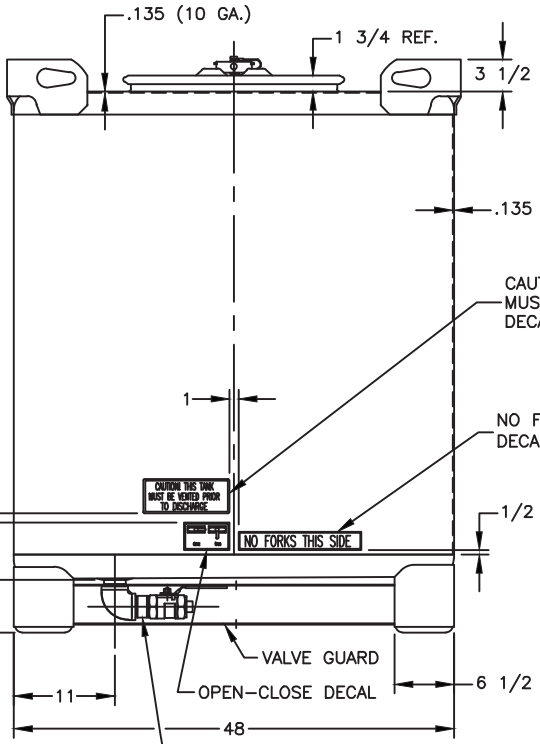
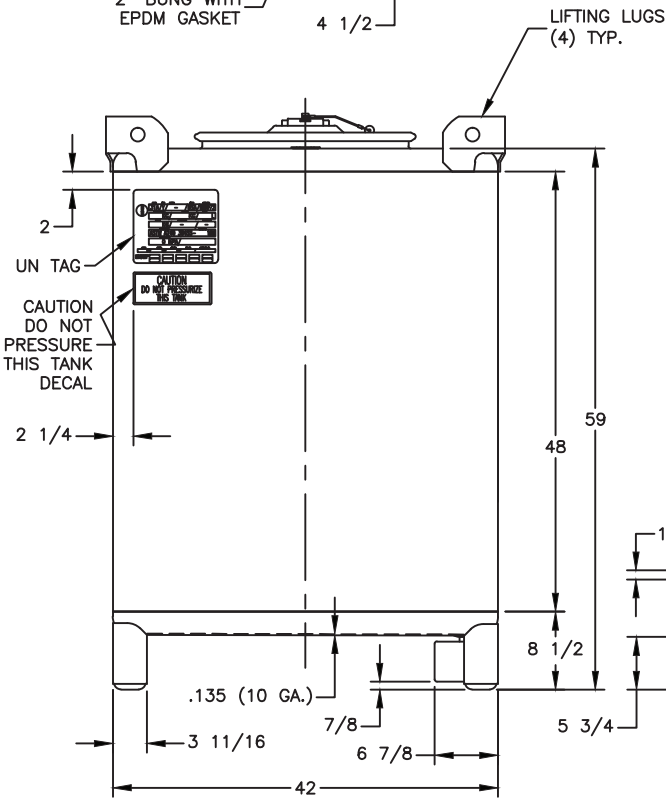
ITEM	P.N.	DESCRIPTION	QTY
------	------	-------------	-----



22 1/2" NOM. DIA. FORMED DRUM OPENING WITH SS DRUM LID, EPDM MULTISEAL LID GASKET, 3" SS FUSIBLE VENT W/TEFLON GASKET AND LANYARD. PLATED STEEL CLAMP RING WITH 5/8"-NC PLATED STEEL BOLT AND 5/8" PLATED STEEL LOCK NUT.



DRUM NECK SECTION



2" SS NPT HALF-NIPPLE, 2" SS NPT 90 DEG. ELBOW, 2" SS NPT X 3" LG NIPPLE, 2" SS BALL VALVE AND 2" PVC SHIPPING PLUG.

NOTE:

1. REMOVE ALL BURRS, SHARP EDGES AND WELD DISCOLORATION.
2. TANK TO HAVE 2" NOMINAL RADIUS CORNERS.
3. BOTTOM SLOPES TOWARD OUTLET FOR OPTIMUM DRAINAGE.
4. PRODUCT CONTACT ZONE TO BE 304 SS OR EQUAL.
5. TANKS WILL STACK AND TOP LIFT.
6. TANKS TO BE TESTED AND TAGGED TO MEET IBC UN 31A/Y SPECIFICATIONS.

COHIBA OILFIELD SERVICES
 (907) 243-TANK • COHIBAOILFIELD.COM

THIS DRAWING CONTAINS INFORMATION PROPRIETARY TO COHEBA OILFIELD SERVICES LLC. IT IS SUBMITTED AND IS TO BE USED SOLELY FOR THE PURPOSE FOR WHICH IT IS FURNISHED AND RETURNED UPON REQUEST. THIS DRAWING AND SUCH INFORMATION IS NOT TO BE REPRODUCED, TRANSMITTED, DISCLOSED OR USED OTHERWISE IN WHOLE OR IN PART WITHOUT THE WRITTEN AUTHORIZATION OF COHEBA OILFIELD SERVICES, LLC.

DESCRIPTION: 450 GALLON SS IBC 42"X48" BASE			
DWG BY: DLW	APPROVED BY:		
DATE: 09-23-09	DRAWING NO: 110007		
SCALE: 1:10	MAT'L: 304 SS	REVISION NO. NONE	

REV.	DESCRIPTION	DATE	BY
------	-------------	------	----